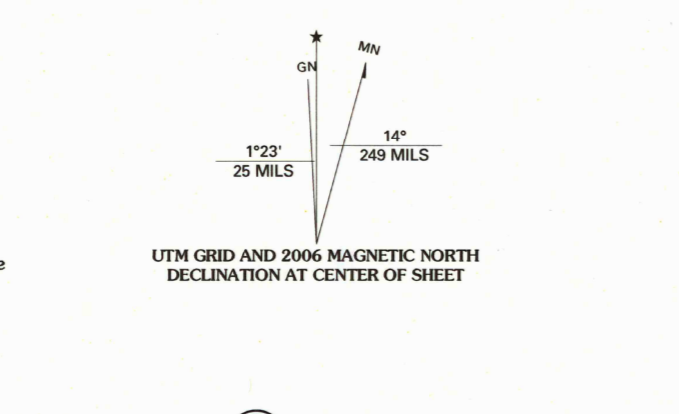


Produced by the United States Geological Survey 1978
Revision by USDA Forest Service 2004
Topography compiled 1963. Planimetry derived from imagery taken 1998 and other sources. Public Land Survey System and survey control current as of 2005. Boundaries current as of 2005.
North American Datum of 1983 (NAD 83). Projection and 1 000-meter grid: Universal Transverse Mercator, zone 11
10 000-foot ticks: California Coordinate System (zone IV)
North American Datum of 1927 (NAD 27) is shown by dashed corner ticks. The values of the shift between NAD 83 and NAD 27 for 7.5-minute intersections are obtainable from National Geodetic Survey NADCON software.
Non-National Forest System lands within the National Forest
Inholdings may exist in other National or State reservations
This map is not a legal document. Public lands are subject to change and leasing, and may have access restrictions; check with appropriate offices. Obtain permission before entering private lands.



SCALE 1:24 000
CONTOUR INTERVAL 40 FEET
NATIONAL GEODETIC VERTICAL DATUM OF 1929
TO CONVERT FROM FEET TO METERS, MULTIPLY BY 0.3048
THIS MAP COMPLIES WITH NATIONAL MAP ACCURACY STANDARDS
FOR SALE BY U.S. GEOLOGICAL SURVEY, P.O. BOX 25286, DENVER, COLORADO 80225
A FOLDER DESCRIBING TOPOGRAPHIC MAPS AND SYMBOLS IS AVAILABLE ON REQUEST

QUADRANGLE LOCATION

1	2	3	1 Aubrey
			2 Shaver Lake
			3 Dinkley Creek
4	5		4 Humphreys Station
			5 Sycamore Ridge
			6 Piedra
			7 Pine Flat Dam
6	7	8	8 Lockett Mountain

ADJOINING 7.5' QUADRANGLES

HIGHWAYS AND ROADS

Interstate.....	5	Primary highway.....	—
U.S.	101	Secondary highway.....	—
State.....	78	Light-duty road.....	—
County.....	8	Composition: Unspecified.....	—
National Forest, suitable for passenger cars.....	105	Paved.....	—
National Forest, suitable for high clearance vehicles.....	106	Gravel.....	—
National Forest Trail.....	304	Dirt.....	—
		Unimproved; 4 wheel drive.....	—
		Trail.....	—
		Gate; Barrier.....	—

